



DEPARTMENT OF REGULATORY AND ECONOMIC RESOURCES (RER)  
BOARD AND CODE ADMINISTRATION DIVISION

MIAMI-DADE COUNTY  
PRODUCT CONTROL SECTION  
11805 SW 26 Street, Room 208  
Miami, Florida 33175-2474  
T (786) 315-2590 F (786) 315-2599

[www.miamidade.gov/economy](http://www.miamidade.gov/economy)

## NOTICE OF ACCEPTANCE (NOA)

**Aluvetro SRL**  
**30 Chapin Road, Suite 1205**  
**Pine Brook, NJ 07058**

### SCOPE:

This NOA is being issued under the applicable rules and regulations governing the use of construction materials. The documentation submitted has been reviewed and accepted by Miami-Dade County RER- Product Control Section to be used in Miami Dade County and other areas where allowed by the Authority Having Jurisdiction (AHJ).

This NOA shall not be valid after the expiration date stated below. The Miami-Dade County Product Control Section (In Miami Dade County) and/or the AHJ (in areas other than Miami Dade County) reserve the right to have this product or material tested for quality assurance purposes. If this product or material fails to perform in the accepted manner, the manufacturer will incur the expense of such testing and the AHJ may immediately revoke, modify, or suspend the use of such product or material within their jurisdiction. RER reserves the right to revoke this acceptance if it is determined by Miami-Dade County Product Control Section that this product or material fails to meet the requirements of the applicable building code.

This product is approved as described herein and has been designed to comply with the High Velocity Hurricane Zone of the Florida Building Code.

**DESCRIPTION: GARDA SP200 and SP300 Postless Glass Railing System - LMI**

**APPROVAL DOCUMENT:** Drawing No. 20-06D, titled "GARDA SP200/SP300 Postless Glass Railing Systems", sheets 1 through 6 of 6, dated 01/27/20, last revision A dated 07/12/21, prepared by Al-Farooq Corporation, signed and sealed by Jalal Farooq, P.E., on August 09, 2021, bearing Miami-Dade County Product Control Revision stamp with the Notice of Acceptance number and the expiration date by the Miami-Dade County Product Control Section.

**MISSILE IMPACT RATING: Large and Small Missile Impact Resistant**

**LABELING:** Each unit shall bear a permanent label with the manufacturer's name or logo, city, state and the following statement: "Miami-Dade County Product Control Approved", unless otherwise noted herein.

**RENEWAL** of this NOA shall be considered after a renewal application has been filed and there has been no change in the applicable building code negatively affecting the performance of this product.

**TERMINATION** of this NOA will occur after the expiration date or if there has been a revision or change in the materials, use, and/or manufacture of the product or process. Misuse of this NOA as an endorsement of any product, for sales, advertising or any other purposes shall automatically terminate this NOA. Failure to comply with any section of this NOA shall be cause for termination and removal of NOA.

**ADVERTISEMENT:** The NOA number preceded by the words Miami-Dade County, Florida, and followed by the expiration date may be displayed in advertising literature. If any portion of the NOA is displayed, then it shall be done in its entirety.

**INSPECTION:** A copy of this entire NOA shall be provided to the user by the manufacturer or its distributors and shall be available for inspection at the job site at the request of the Building Official. The structural adequacy of the supporting structures is not part of this approval & shall be reviewed by the corresponding Building Dept.

This NOA **revises NOA #20-0708.05** and consists of this page 1, evidence submitted pages E-1 & E-2 as well as approval document mentioned above.

The submitted documentation was reviewed by **Helmy A. Makar, P.E., M.S.**



*Helmy A. Makar*  
11/04/2021

NOA No. 21-0812.02  
Expiration Date: 06/25/2025  
Approval Date: 11/04/2021  
Page 1

Aluvetro SRL

NOTICE OF ACCEPTANCE: EVIDENCE SUBMITTED

**1. EVIDENCE SUBMITTED UNDER PREVIOUS APPROVAL 20-0330.07**

**A. DRAWINGS**

1. *Drawing No. 20-06D, titled " GARDA SP300 Postless Glass Railing System ", sheets 1 through 4 of 4, prepared by Al-Farooq Corporation, signed and sealed by Jalal Farooq, P.E., on March 08, 2020.*

**B. TESTS**

1. *Test Report No. BT-AUV-18-001, by Blackwater Testing, Inc., dated January 29, 2020, signed and sealed by Constantin Bortes, P.E.*

**C. CALCULATIONS**

1. *Calculation titled "Series SP300 Postless Railing System (LMI), 17 sheets, dated January 24, 2020, prepared by Al-Farooq Corporation, signed and sealed by Jalal Farooq, P.E., on March 08, 2020.*

**D. QUALITY ASSURANCE**

1. *By Miami-Dade County Department of Regulatory and Economic Resources.*

**E. MATERIAL CERTIFICATIONS**

1. *None.*

**F. OTHERS**

1. *Florida Building Code, 2017 Edition, compliance letter, dated January 24, 2020, prepared by Al-Farooq Corporation, signed and sealed by Jalal Farooq, P.E., on March 08, 2020.*
2. *Distributor Agreement, dated February 07, 2020, signed by Paolo Foroni (manufacturer) and Emil Rosado (Distributor).*

**2. EVIDENCE SUBMITTED UNDER PREVIOUS APPROVAL 20-0708.05**

**A. DRAWINGS**

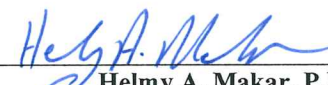
1. *Drawing No. 20-06D, titled " GARDA SP300 Postless Glass Railing System ", sheets 1 through 4 of 4, prepared by Al-Farooq Corporation, signed and sealed by Jalal Farooq, P.E., on June 26, 2020.*

**B. TESTS**

1. *None.*

**C. CALCULATIONS**

1. *Calculation titled "Series SP300 Postless Railing System (LMI), 17 sheets, dated January 24, 2020, prepared by Al-Farooq Corporation, signed and sealed by Jalal Farooq, P.E., on June 26, 2020.*

  
\_\_\_\_\_  
Helmy A. Makar, P.E., M.S.  
Product Control Section Supervisor  
NOA No. 21-0812.02  
Expiration Date: 06/25/2025  
Approval Date: 11/04/2021

Aluvetro SRL

NOTICE OF ACCEPTANCE: EVIDENCE SUBMITTED

**D. QUALITY ASSURANCE**

1. *By Miami-Dade County Department of Regulatory and Economic Resources.*

**E. MATERIAL CERTIFICATIONS**

1. *None.*

**F. OTHERS**

1. *Florida Building Code, 2017 Edition and 2020 Edition, compliance letter, dated January 24, 2020, prepared by Al-Farooq Corporation, signed and sealed by Jalal Farooq, P.E., on June 26, 2020.*
2. *Distributor Agreement, dated February 07, 2020, signed by Paolo Foroni (manufacturer) and Emil Rosado (Distributor).*

**3. NEW EVIDENCE SUBMITTED**

**A. DRAWINGS**

1. *Drawing No. 20-06D, titled "GARDA SP200/SP300 Postless Glass Railing Systems", sheets 1 through 6 of 6, dated 01/27/20, last revision A dated 07/12/21, prepared by Al-Farooq Corporation, signed and sealed by Jalal Farooq, P.E., on August 09, 2021.*

**B. TESTS**

1. *Test Report No. BW-ALU-21-001, by Blackwater Testing, Inc., dated June 06, 2021, signed and sealed by Constantin Bortes, P.E.*

**C. CALCULATIONS**

1. *Calculation titled "Series SP200/SP300 Postless Railing System (LMI), 33 sheets, dated August 09, 2021, prepared by Al-Farooq Corporation, signed and sealed by Jalal Farooq, P.E., on August 09, 2021.*

**D. QUALITY ASSURANCE**

1. *By Miami-Dade County Department of Regulatory and Economic Resources (RER).*

**E. MATERIAL CERTIFICATIONS**

1. *None.*

**F. OTHERS**

1. *Florida Building Code, 2020 Edition, compliance letter, dated August 09, 2021, prepared by Al-Farooq Corporation, signed and sealed by Jalal Farooq, P.E., on August 09, 2021.*
2. *Distributor Agreement, dated February 07, 2020, signed by Paolo Foroni (manufacturer) and Emil Rosado (Distributor).*



Helmy A. Makar, P.E., M.S.  
Product Control Section Supervisor

NOA No. 21-0812.02

Expiration Date: 06/25/2025

Approval Date: 11/04/2021

PRODUCT COMPLIES WITH REQUIREMENTS OF ANSI Z97.1.

SERIES GARDA SP-AP 200  
SERIES GARDA SP-AP 300  
POSTLESS GLASS RAILING SYSTEM

THIS PRODUCT HAS BEEN DESIGNED AND TESTED TO COMPLY WITH THE REQUIREMENTS OF THE 2020 (7TH EDITION) FLORIDA BUILDING CODE INCLUDING HIGH VELOCITY HURRICANE ZONE (HVHZ).

ANCHORS SHALL BE CORROSION RESISTANT, SPACED AS SHOWN ON DETAILS AND INSTALLED PER MANUF'S INSTRUCTIONS. SPECIFIED EMBEDMENT TO BASE MATERIAL SHALL BE BEYOND FLOOR DRESSING.

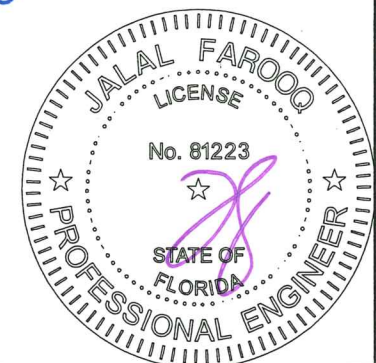
MATERIALS INCLUDING BUT NOT LIMITED TO STEEL/METAL SCREWS, THAT COME INTO CONTACT WITH OTHER DISSIMILAR MATERIALS SHALL MEET THE REQUIREMENTS OF THE 2020 FLORIDA BLDG. CODE & ADOPTED STANDARDS.

THIS PRODUCT APPROVAL IS GENERIC AND DOES NOT PROVIDE INFORMATION FOR A SITE SPECIFIC PROJECT, i.e. LIFE SAFETY OF THIS PRODUCT, ADEQUACY OF STRUCTURE RECEIVING THIS PRODUCT ETC. CONDITIONS NOT SHOWN IN THIS DRAWING ARE TO BE ANALYZED SEPARATELY, AND TO BE REVIEWED BY BUILDING OFFICIAL.

DESIGN LOADS SHOWN ARE BASED ON 'ALLOWABLE STRESS DESIGN (ASD)'.

PRODUCT REVISED  
 as complying with the Florida  
 Building Code  
 Acceptance No 21-0817-02  
 Expiration Date 06/25/2025  
 By *M. A. M. M.*  
 Miami Trade Product Control

AUG 09 2021



**afc**  
**AL-FAROOQ CORPORATION**  
 ENGINEERS & PRODUCT DEVELOPMENT  
 9360 SUNSET DRIVE, SUITE 220  
 MIAMI, FLORIDA 33173 (C.A.N. 3538)  
 TEL. (305) 264-8100 FAX. (305) 262-6978

GARDA SP-AP 200/SP-AP 300 POSTLESS GLASS RAILING  
**Aluetro**  
 Via Lombardia 4/6  
 25034 Orzinuovi (BS) - ITALIA  
 Phone: +39 030 9444433 Fax: +39 030 9946653

revisions:	no	date	by	description
	A	07.12.21		GENERAL REVISION

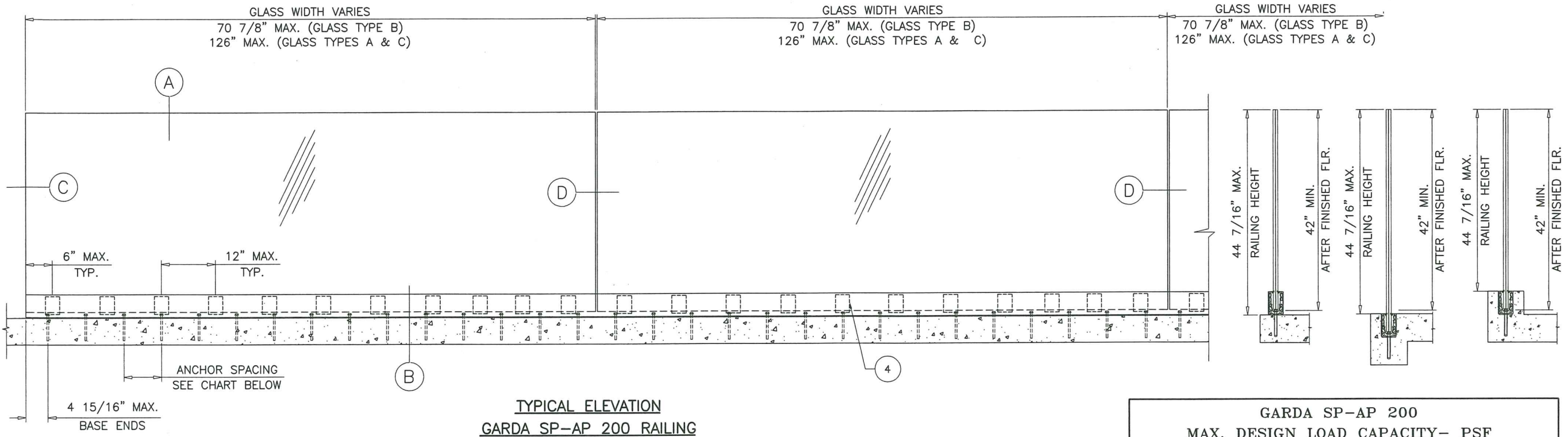
  

date:	01-27-20
scale:	1/2"=1'-0"
dr. by:	TARIQ
chk. by:	

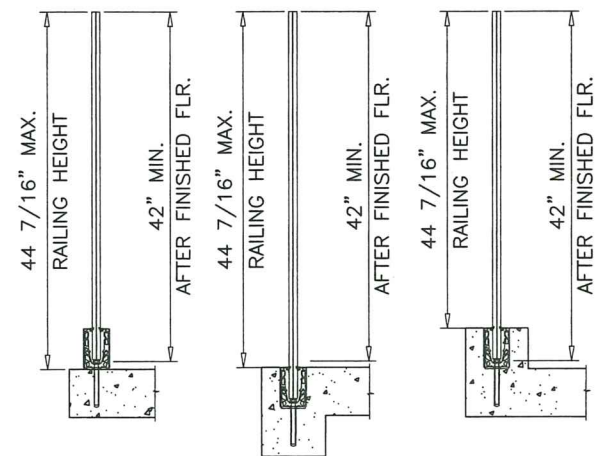
  

drawing no.	20-06D
sheet	1 of 6

RAILING\20-06D-ALU

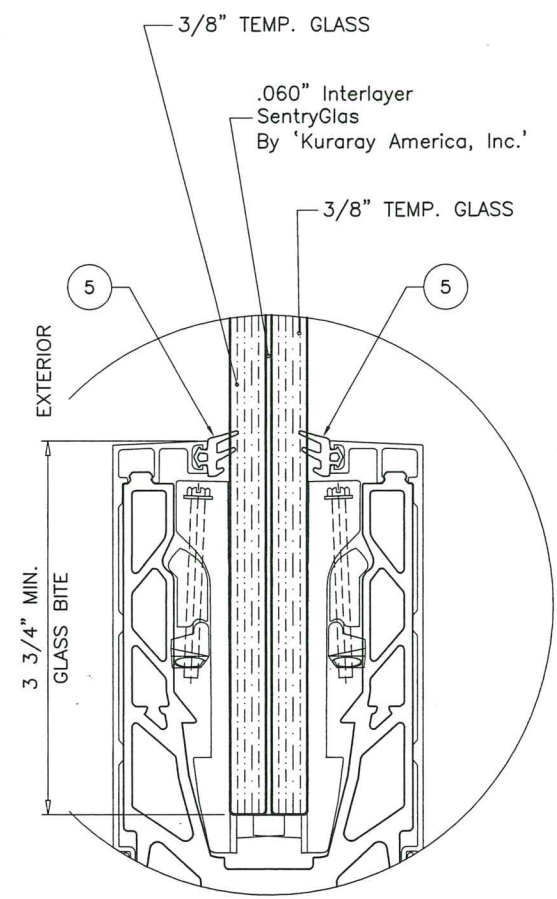


TYPICAL ELEVATION  
GARDA SP-AP 200 RAILING

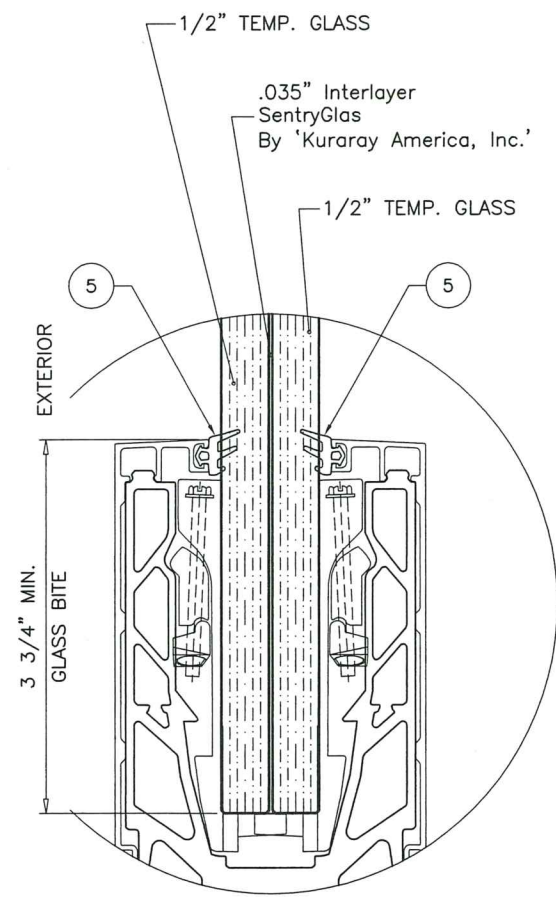


GARDA SP-AP 200 MAX. DESIGN LOAD CAPACITY- PSF					
SUBSTRATE	ANCHOR EDGE DIST.	ANCHOR TYPES	ANCHOR SPACING		
			4.9" MAX.	6" MAX.	9.8" MAX.
3000 PSI CONCRETE	4-1/2" MIN.	A	72.7	62.0	39.6
		AA	90.0	90.0	57.3
		B	56.9	50.2	36.8
		BB	73.2	63.5	46.9
4000 PSI CONCRETE		A	86.1	73.5	46.9
		AA	90.0	90.0	67.6
3000 PSI CONCRETE	3-1/2" MIN.	A	65.0	55.5	35.4
		AA	89.9	79.9	50.2
		B	53.5	47.1	34.6
		BB	69.0	59.8	44.1
4000 PSI CONCRETE		A	77.2	65.9	42.0
		AA	90.0	90.0	59.4
3/8" THK. A36 STEEL	1" MIN.	C	90.0	90.0	62.1
		CC	90.0	90.0	90.0

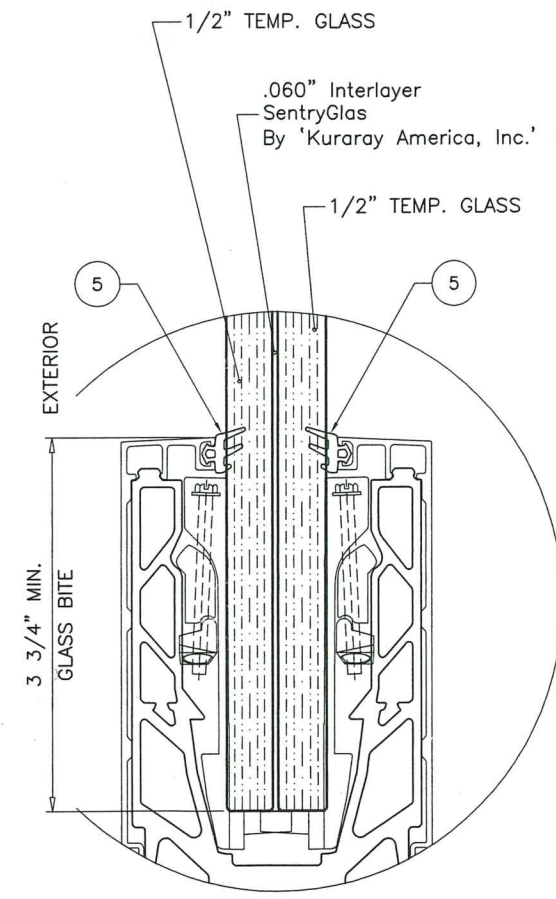
SEE SHEET 4 FOR ANCHOR DESCRIPTIONS



GLASS TYPE 'A'



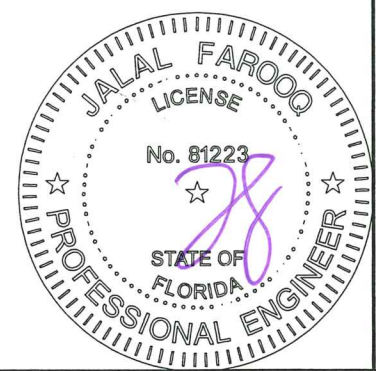
GLASS TYPE 'B'



GLASS TYPE 'C'

PRODUCT REVISED  
as complying with the Florida  
Building Code  
Acceptance No 21-0812-02  
Expiration Date 06/25/2025  
By *Helga A. Weber*  
Miami Dade Product Control

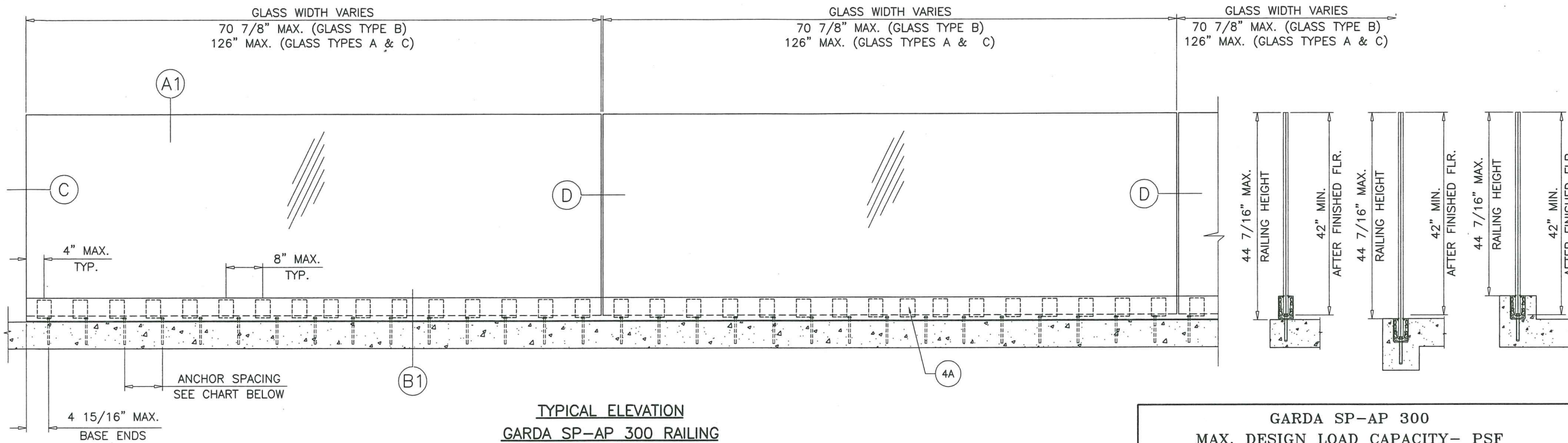
AUG 09 2021



**af c**  
**AL-FAROOQ CORPORATION**  
ENGINEERS & PRODUCT DEVELOPMENT  
9360 SUNSET DRIVE, SUITE 220  
MIAMI, FLORIDA 33173 (C.A.N. 3538)  
TEL. (305) 264-8100 FAX. (305) 262-6978  
RAILING \20-06D-ALU

GARDA SP-AP 200/SP-AP 300 POSTLESS GLASS RAILING  
**Aluetro**  
Via Lombardia 4/6  
25034 Orzinuovi (BS) - ITALIA  
Phone: +39 030 9444433 Fax: +39 030 9946653

revisions:	no.	date	description
	A	07.12.21	GENERAL REVISION
date:	01-27-20	scale:	1/2" = 1'-0"
dr. by:	TARIQ	chk. by:	
drawing no.	20-06D		
sheet	2 of 6		

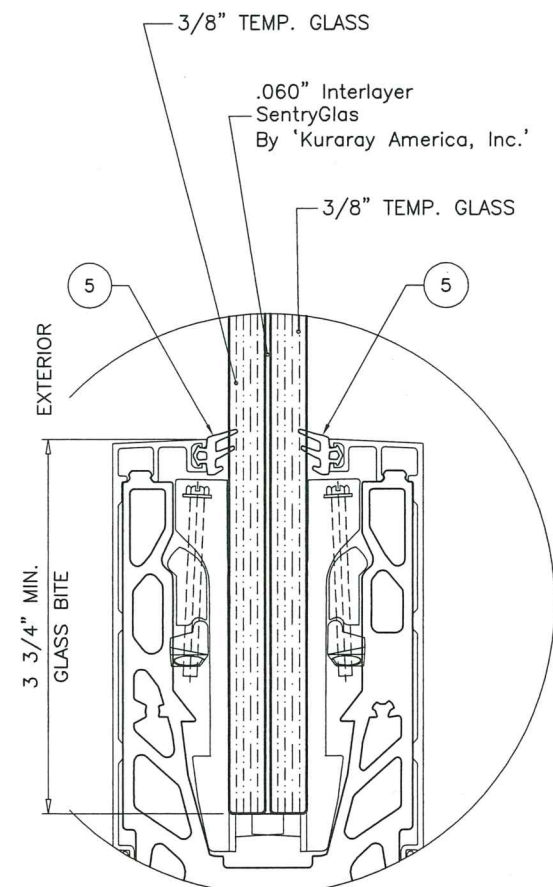


**TYPICAL ELEVATION  
GARDA SP-AP 300 RAILING**

**GARDA SP-AP 300  
MAX. DESIGN LOAD CAPACITY- PSF**

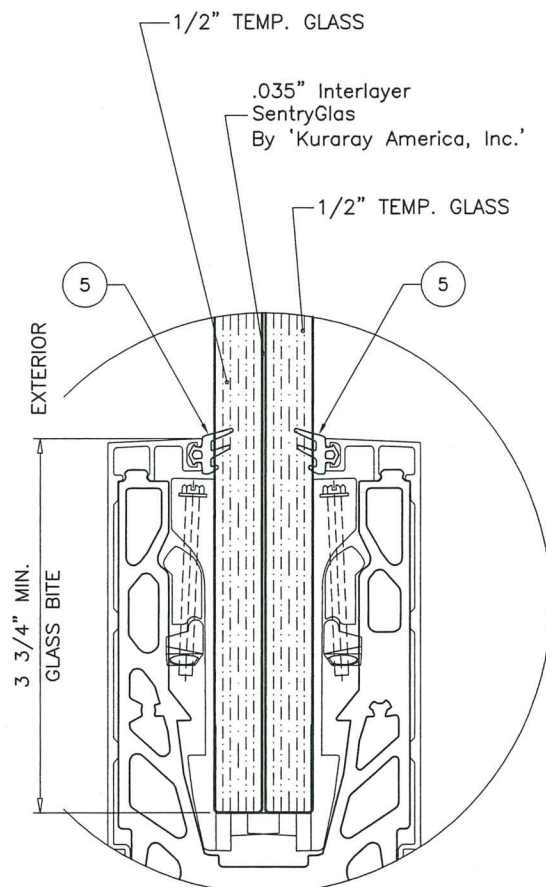
SUBSTRATE	ANCHOR EDGE DIST.	ANCHOR TYPES	ANCHOR SPACING		
			4.9" MAX.	6" MAX.	9.8" MAX.
3000 PSI CONCRETE	4-1/2" MIN.	A	72.7	62.0	39.6
		AA	102.6	91.2	57.3
		B	56.9	50.2	36.8
		BB	73.2	63.5	46.9
4000 PSI CONCRETE		A	86.1	73.5	46.9
		AA	120.0	107.8	67.6
3000 PSI CONCRETE	3-1/2" MIN.	A	65.0	55.5	35.4
		AA	89.9	79.9	50.2
		B	53.5	47.1	34.6
		BB	69.0	59.8	44.1
4000 PSI CONCRETE		A	77.2	65.9	42.0
		AA	106.3	96.3	59.4
3/8" THK. A36 STEEL	1" MIN.	C	120.0	101.8	62.1
		CC	120.0	120.0	112.7

SEE SHEET 4 FOR ANCHOR DESCRIPTIONS

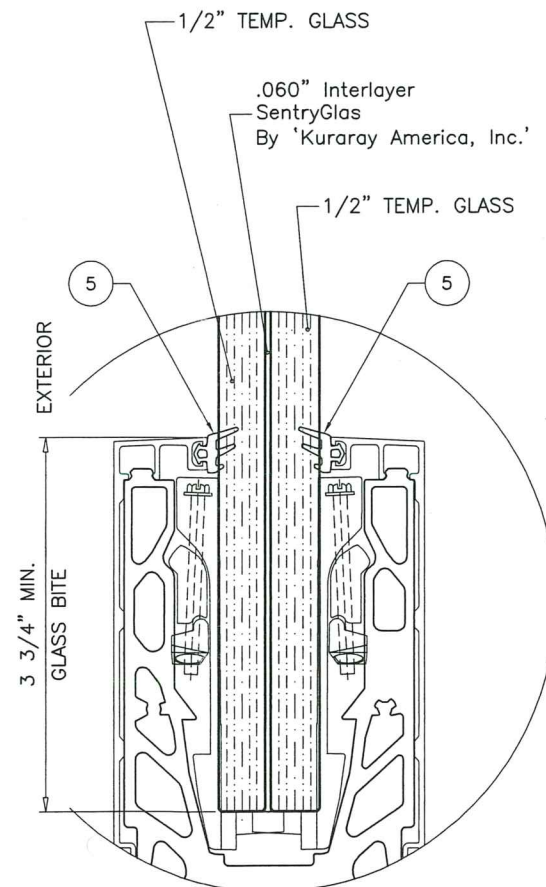


**GLASS TYPE 'A'**

MAX. LOADS FOR GLASS TYPE 'A' = ±90.0 PSF



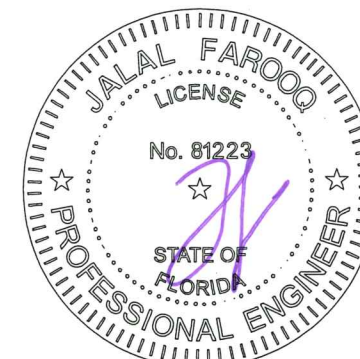
**GLASS TYPE 'B'**



**GLASS TYPE 'C'**

PRODUCT REVISED  
as complying with the Florida  
Building Code  
Acceptance No 21-0812.02  
Expiration Date 06/25/2025  
By *H. G. P. Miller*  
Miami Date Product Control

AUG 09 2021

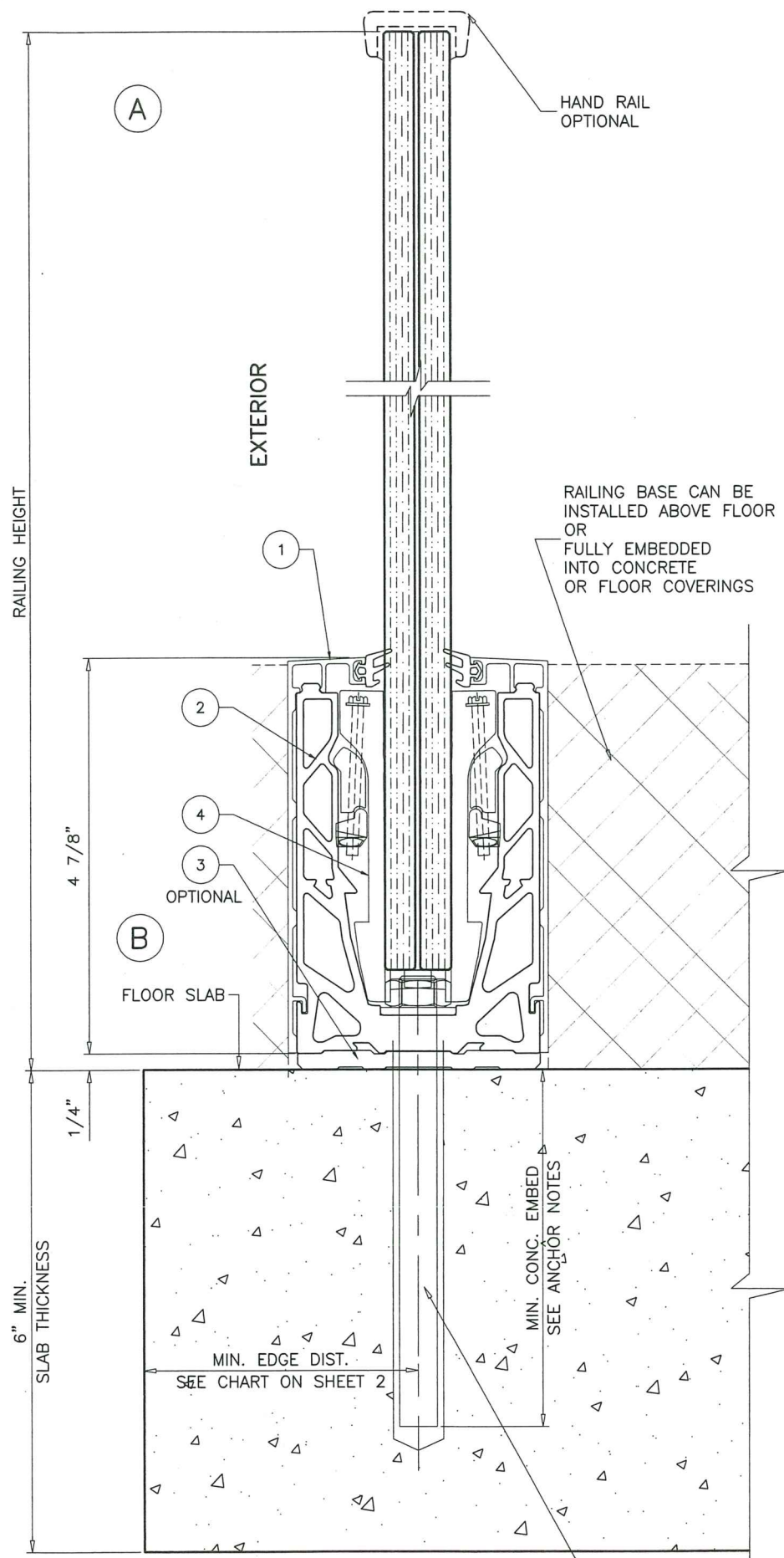


**af c**  
**AL-FAROOQ CORPORATION**  
ENGINEERS & PRODUCT DEVELOPMENT  
9360 SUNSET DRIVE, SUITE 220  
MIAMI, FLORIDA 33173 (C.A.N. 3538)  
TEL. (305) 264-8100 FAX. (305) 262-6978

GARDA SP-AP 200/SP-AP 300 POSTLESS GLASS RAILING  
**Aluetro**  
Via Lombardia 4/6  
25034 Orzinuovi (BS) - ITALIA  
Phone: +39 030 9444433 Fax: +39 030 9946653

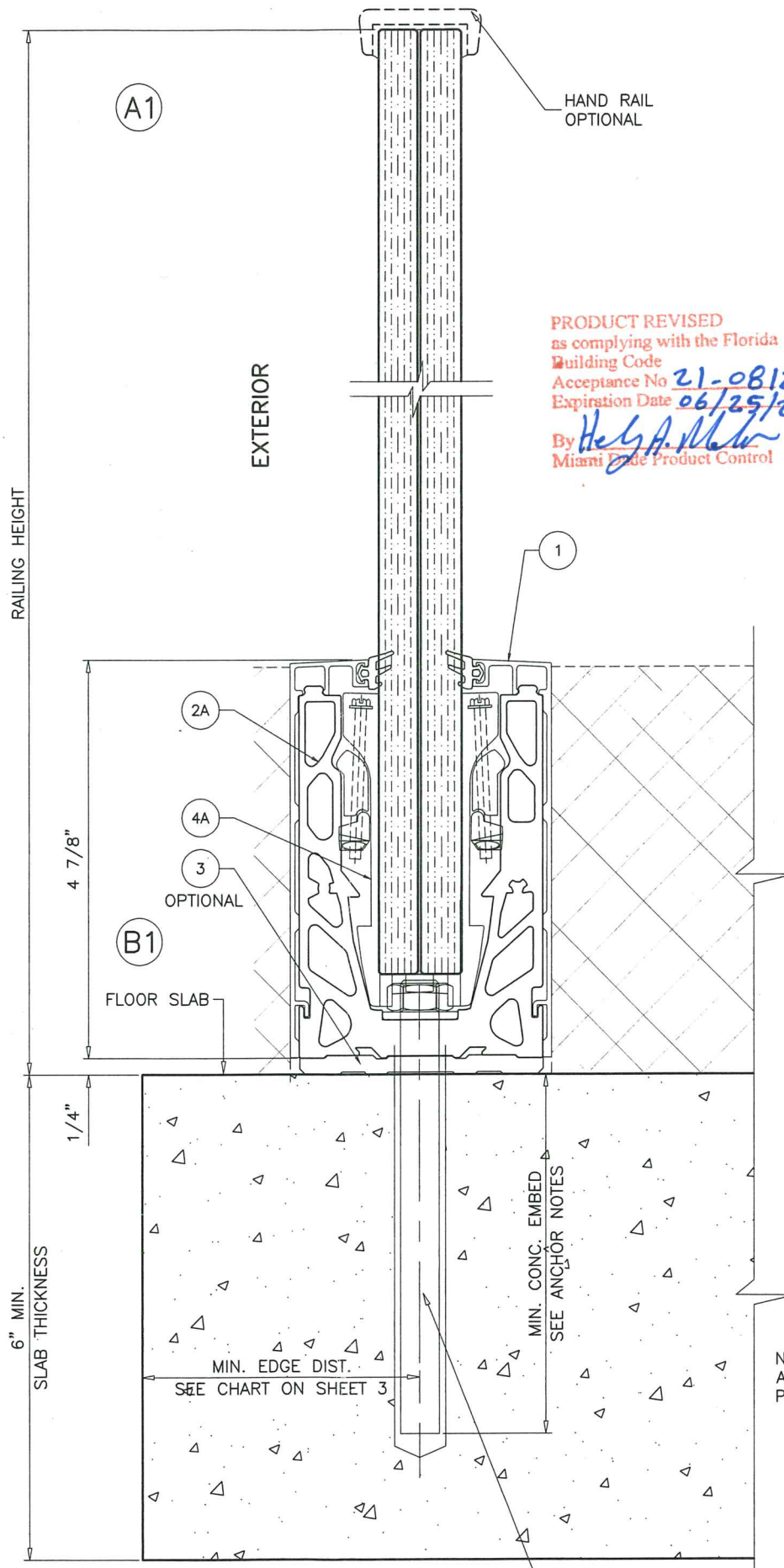
revisions:	no	date	description
	A	10/7.12.21	GENERAL REVISION
date:	01-27-20	scale:	1/2"=1'-0"
dr. by:	TARIO	chk. by:	
drawing no.	20-06D		
sheet	3 of 6		

RAILING\20-06D-ALU



**GARDA SP-AP 200**

TYPICAL ANCHORS  
SEE SHEET 2  
FOR SPACING AND CAPACITY



**GARDA SP-AP 300**

TYPICAL ANCHORS  
SEE SHEET 3  
FOR SPACING AND CAPACITY

PRODUCT REVISED  
as complying with the Florida  
Building Code  
Acceptance No. 21-0812.02  
Expiration Date 06/25/2025  
By *Hely A. M...*  
Miami Trade Product Control

**TYPICAL ANCHORS:**

**ANCHOR 'A'**  
INTO CONCRETE (3000 OR 4000 PSI MIN.)  
HVU ANCHORING SYSTEM BY 'HILTI'  
WITH HVU ADHESIVE CAPSULE AND  
3/8" DIA. 'HILTI' THREADED ROD  
(HAS-R STAINLESS AISI 304/316 SS)  
(Fu = 100,000 PSI & Fy = 65,000 PSI)  
SAE J995 GRADE 5 NUT  
AND ANSI B18.22.1 TYPE A PLAIN WASHER  
4-1/4" MIN. EMBEDMENT  
MIN. EDGE DISTANCE SEE CHART ON SHEETS 2 & 3

**ANCHOR 'AA'**  
INTO CONCRETE (3000 OR 4000 PSI MIN.)  
HVU ANCHORING SYSTEM BY 'HILTI'  
WITH HVU ADHESIVE CAPSULE AND  
1/2" DIA. 'HILTI' THREADED ROD  
(HAS-R STAINLESS AISI 304/316 SS)  
(Fu = 100,000 PSI & Fy = 65,000 PSI)  
SAE J995 GRADE 5 NUT  
AND ANSI B18.22.1 TYPE A PLAIN WASHER  
4-1/4" MIN. EMBEDMENT  
MIN. EDGE DISTANCE SEE CHART ON SHEETS 2 & 3

**ANCHOR 'B'**  
INTO CONCRETE (3000 PSI MIN.)  
3/8" DIA. SCREW-BOLT+ BY 'DEWALT'  
(Fu = 120,000 PSI & Fy = 92,000 PSI)  
4-1/2" MIN. EMBEDMENT  
MIN. EDGE DISTANCE SEE CHART ON SHEETS 2 & 3

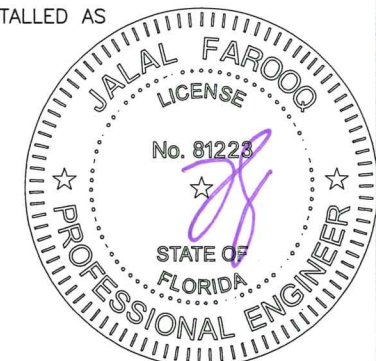
**ANCHOR 'BB'**  
INTO CONCRETE (3000 PSI MIN.)  
1/2" DIA. SCREW-BOLT+ BY 'DEWALT'  
(Fu = 120,000 PSI & Fy = 92,000 PSI)  
4-1/4" MIN. EMBEDMENT  
MIN. EDGE DISTANCE SEE CHART ON SHEETS 2 & 3

**ANCHOR 'C'**  
INTO A36 STEEL STRUCTURES (3/8" MIN. THK.)  
3/8" DIA. MACHINE SCREWS (GRADE 5 CRS)  
(Fu = 120,000 PSI & Fy = 92,000 PSI)  
(3) THREADS TO EXTEND BEYOND METAL THICKNESS  
MIN. EDGE DISTANCE SEE CHARTS ON SHEETS 2 & 3

**ANCHOR 'CC'**  
INTO A36 STEEL STRUCTURES (3/8" MIN. THK.)  
1/2" DIA. MACHINE SCREWS (GRADE 5 CRS)  
(Fu = 120,000 PSI & Fy = 92,000 PSI)  
(3) THREADS TO EXTEND BEYOND METAL THICKNESS  
MIN. EDGE DISTANCE SEE CHARTS ON SHEETS 2 & 3

NOTE:  
ANCHOR TORQUED AND OTHERWISE INSTALLED AS  
PER MANUFACTURER SPECIFICATIONS.

AUG 09 2021



**af c**  
**AL-FAROOQ CORPORATION**  
ENGINEERS & PRODUCT DEVELOPMENT  
9360 SUNSET DRIVE, SUITE 220  
MIAMI, FLORIDA 33173  
TEL. (305) 264-8100 FAX. (305) 262-6978  
RAILING 20-06D-ALU

GARDA SP-AP 200/SP-AP 300 POSTLESS GLASS RAILING  
**Aluetro**  
Via Lombardia 4/6  
25034 Orzinuovi (BS) - ITALIA  
Phone: +39 030 9444433 Fax: +39 030 9946653

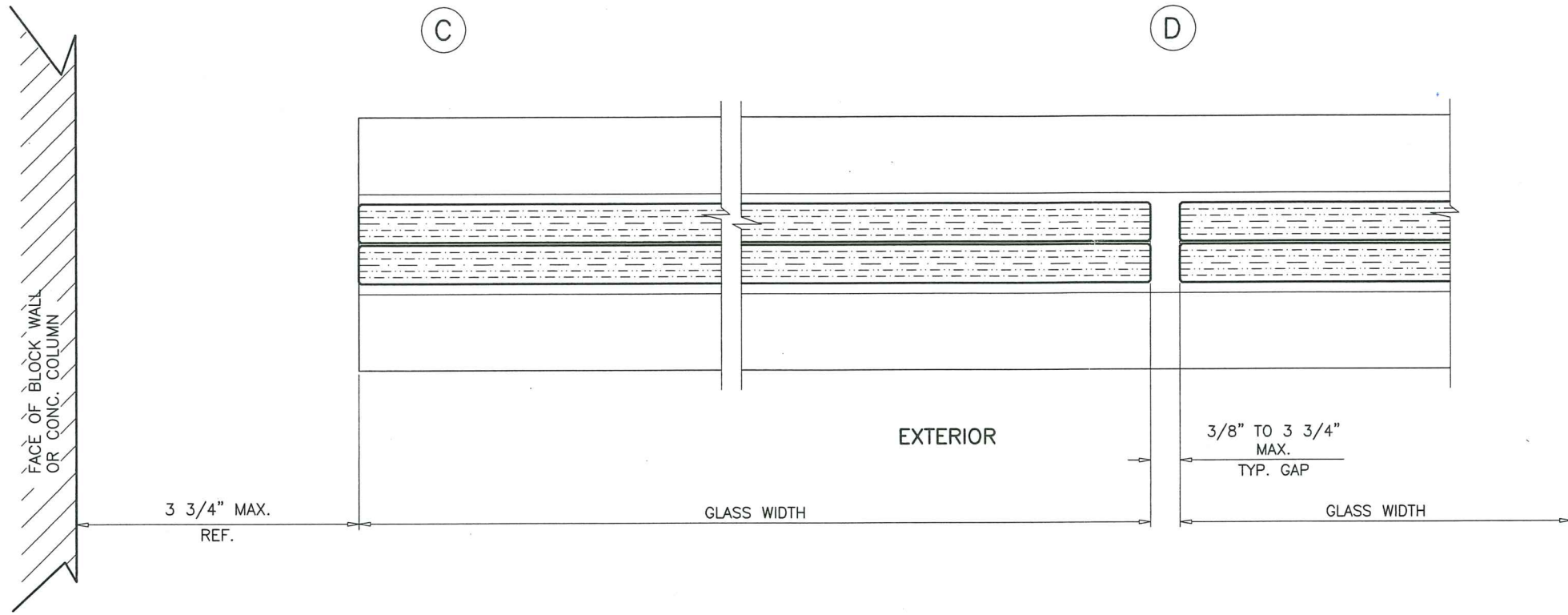
revisions:	no	date	description
	A	07.12.21	GENERAL REVISION

date:	01-27-20
scale:	1/2" = 1"
dr. by:	TARIQ
chk. by:	

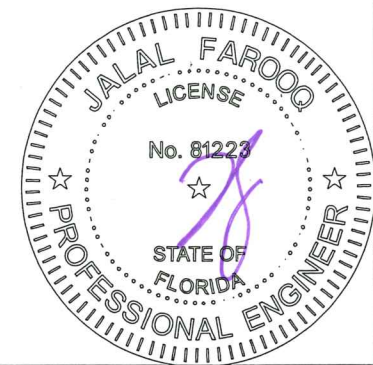
  

drawing no.  
**20-06D**  
sheet 4 of 6



PRODUCT REVISED  
 as complying with the Florida  
 Building Code  
 Acceptance No 21-0812.02  
 Expiration Date 06/25/2025  
 By Hedy A. Miller  
 Miami Dade Product Control

AUG 09 2021



**afc**

**AL-FAROOQ CORPORATION**  
 ENGINEERS & PRODUCT DEVELOPMENT  
 9360 SUNSET DRIVE, SUITE 220  
 MIAMI, FLORIDA 33173 (C.A.N. 3538)  
 TEL. (305) 264-8100 FAX. (305) 262-6978

---

GARDA SP-AP 200/SP-AP 300 POSTLESS GLASS RAILING

**Aluvetro**  
 Via Lombardia 4/6  
 25034 Orzinuovi (BS) - ITALIA  
 Phone: +39 030 9444433 Fax: +39 030 9946653

no	date	description	by
A	07.12.21	GENERAL REVISION	

revisions:

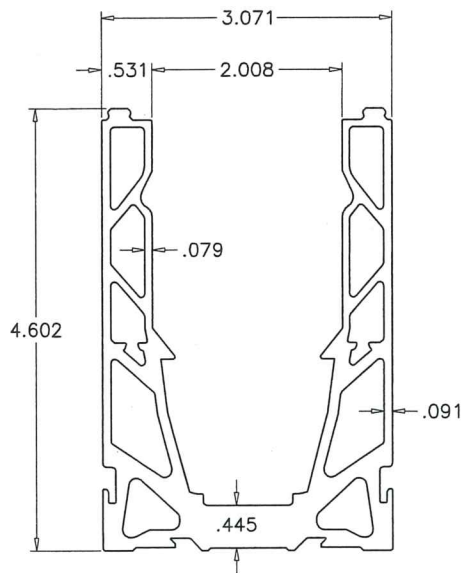
date: 01-27-20  
 scale: 1/2" = 1"  
 dr. by: TARIQ  
 chk. by:

drawing no.  
**20-06D**

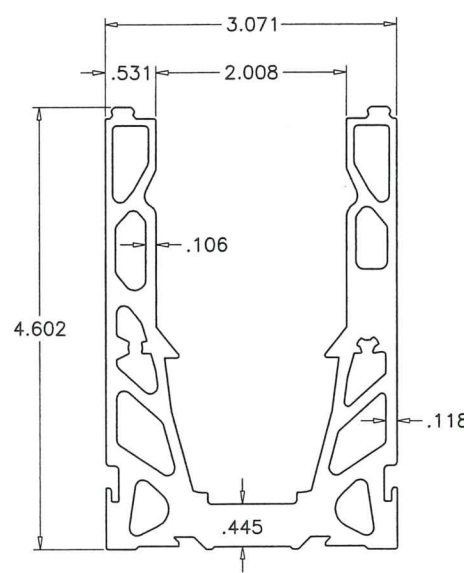
sheet **5** of **6**

RAILING\20-06D-ALU





2 RAILING BASE (SP-AP 200)

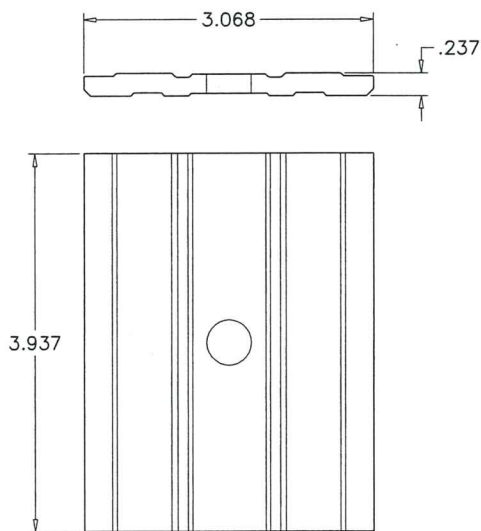


2A RAILING BASE (SP-AP 300)

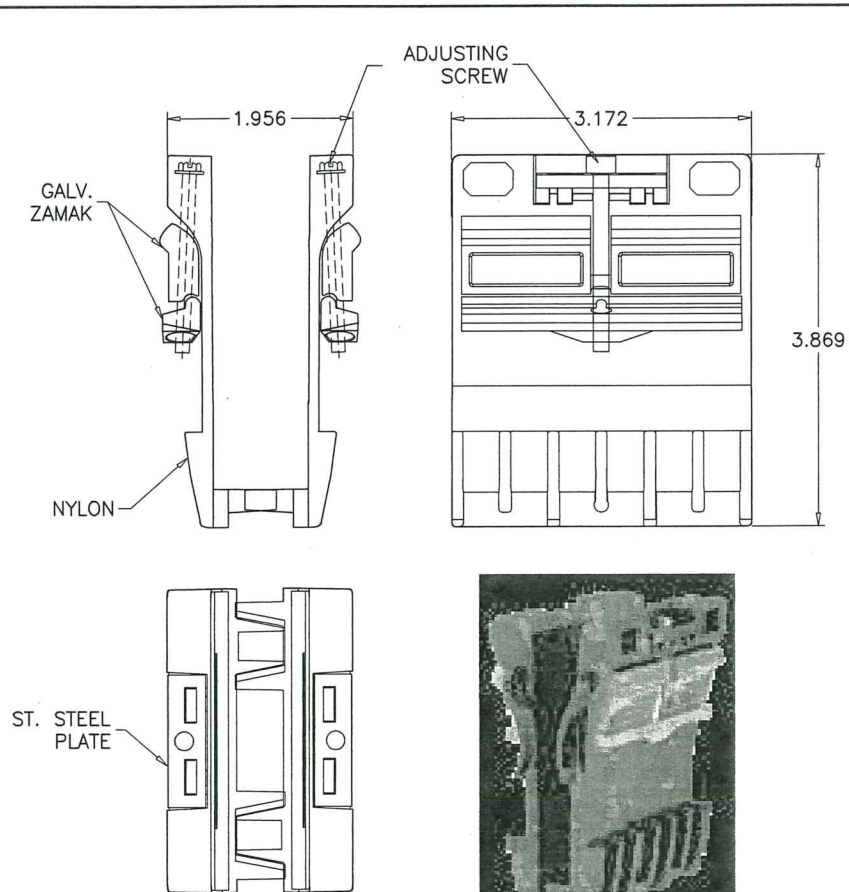
ITEM	PART #	DESCRIPTION	MATERIAL	MANF./SUPPLIER/REMARKS
1	KL	BASE COVER	6060-T6	-
2	PL1 200	RAILING BASE (GARDA SP-AP 200)	6063-T6	-
2A	PL1 300	RAILING BASE (GARDA SP-AP 300)	6063-T6	-
3	GP	RAILING SHIM (OPTIONAL)	6063-T6	-
4	PZ10	GLASS CLAMP (GARDA SP-AP 200) @ 6" FROM ENDS & 12" O.C.	NYLON	-
4A	PZ12	GLASS CLAMP (GARDA SP-AP 300) @ 4" FROM ENDS & 8" O.C.	NYLON	-
5	GU	INTERIOR/EXTERIOR GASKET	PVC	DUROMETER 80±5 SHORE A

**PVC GASKETS PROPERTIES**

BASE POLYMER = PVC  
 DENSITY = 1.5g/cm<sup>3</sup>  
 HARDNESS = SHORE D 90 HD  
 IMPACT STRENGTH = 10 KJ/M<sup>2</sup>  
 SOFTENING TEMPERATURE = 85° C  
 FIREPROOF PERFORMANCE = B1  
 TENSILE STRENGTH = 60 MPa

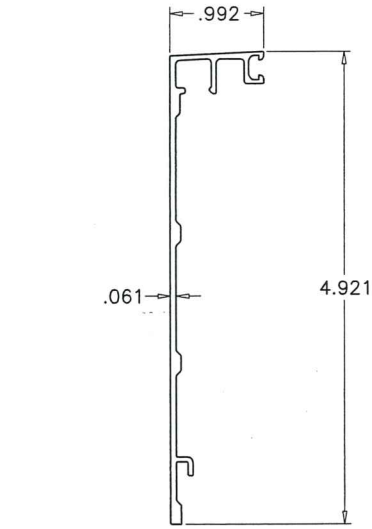
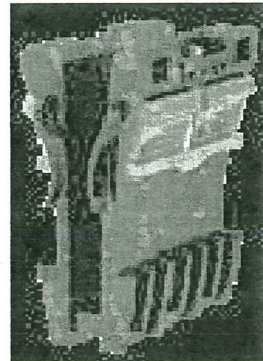


3 RAILING SHIM



4 GLASS CLAMP (SP-AP 200)

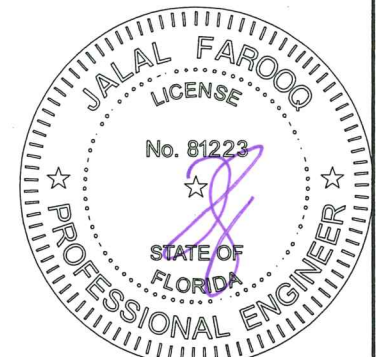
4A GLASS CLAMP (SP-AP 300)



1 BASE COVER

PRODUCT REVISED  
 as complying with the Florida  
 Building Code  
 Acceptance No 21-0812.02  
 Expiration Date 06/25/2025  
 By *Helga A. Miller*  
 Miami Data Product Control

AUG 09 2021



**AL-FAROOQ CORPORATION**  
 ENGINEERS & PRODUCT DEVELOPMENT  
 9360 SUNSET DRIVE, SUITE 220  
 MIAMI, FLORIDA 33173 (C.A.N. 3538)  
 TEL. (305) 264-8100 FAX. (305) 262-6978

GARDA SP-AP 200/SP-AP 300 POSTLESS GLASS RAILING  
**Aluetro**  
 Via Lombardia 4/6  
 25034 Orzinuovi (BS) - ITALIA  
 Phone: +39 030 9444433 Fax: +39 030 9946653

revisions:	no	date	description
	A	07.12.21	GENERAL REVISION

date: 01-27-20  
 scale: 1/2" = 1"  
 dr. by: TARIO  
 chk. by:

drawing no.  
**20-06D**

sheet 6 of 6

RAILING\20-06D-ALU