



Installation instructions

GARDA SP-AP 300

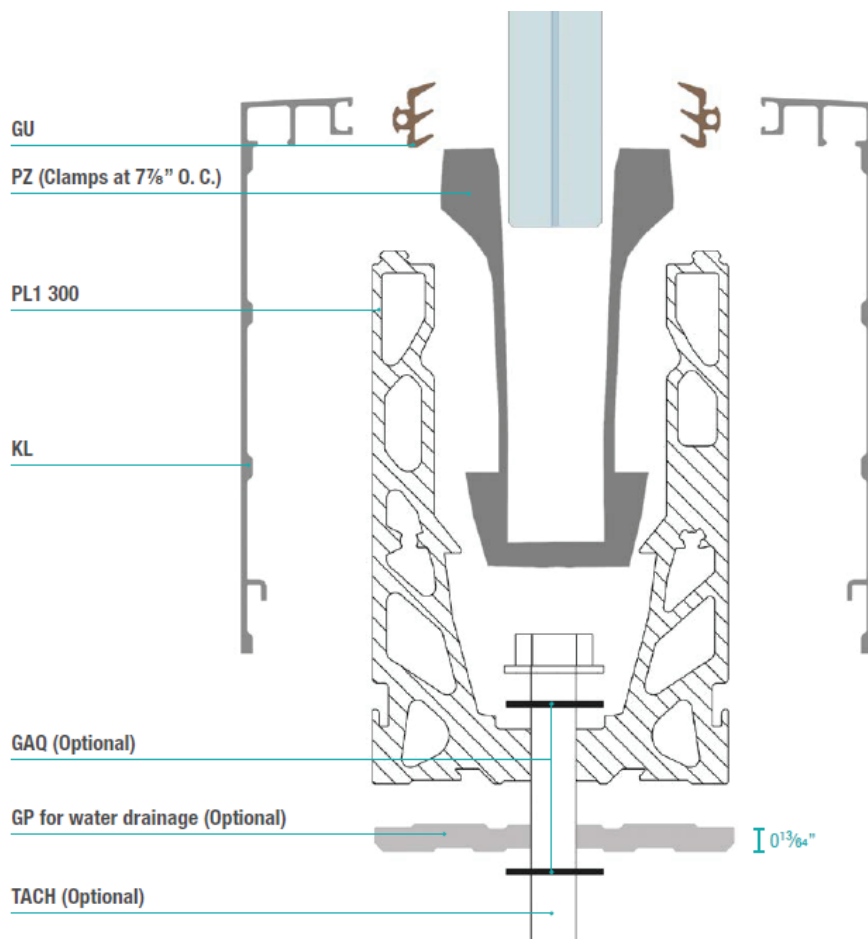
GARDA SP 300

FIXING ON THE FLOOR



Aluminium profile that has the characteristic of remaining in sight offering the possibility to choose among numerous chromatic customizations of the casing. The disposal of rainwater is obtained by the addition of supports fixed under the same profile.

ARTICLE CODES - SP 300

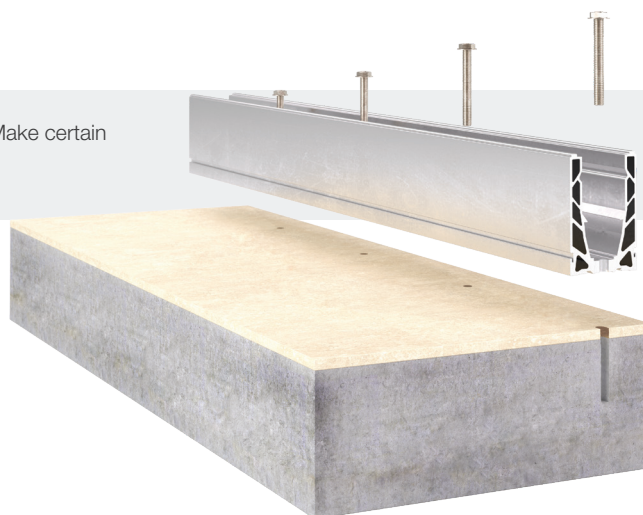


ASSEMBLY STAGES - SP 300

Each profile is ready for installation: the balustrade is completed by fixing screws, seals, carter, clamps. The final adjustment is carried out with the help of a simple allen wrench or with the use of an extension cord for the power tool (art. PR55), which makes it even faster to tighten the adjusting screws.

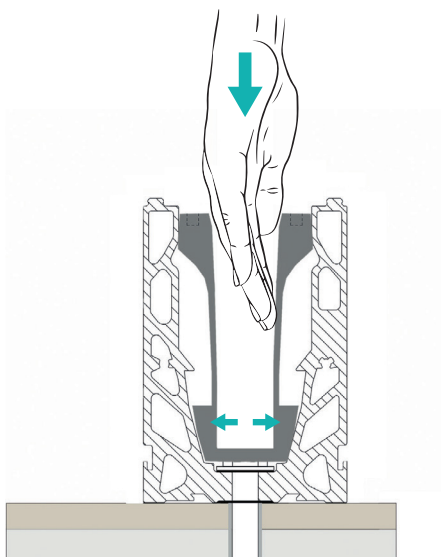
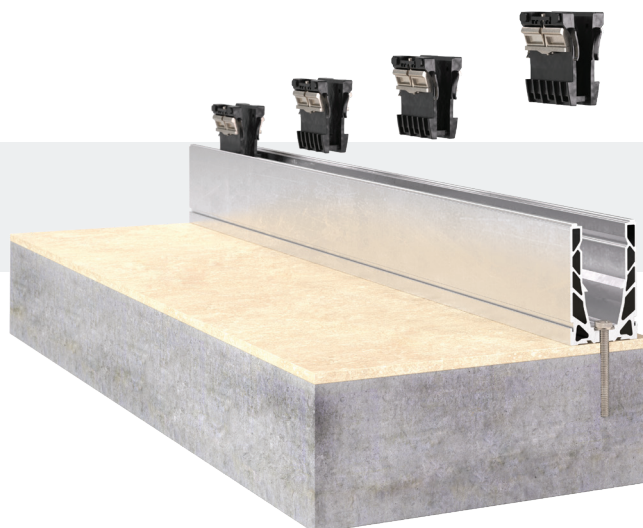
1

Drill the slab with a drill, position the profile and the fixing screws. Make certain that the profile adheres perfectly to the slab. For anchor's types refer to the chart at page 5.

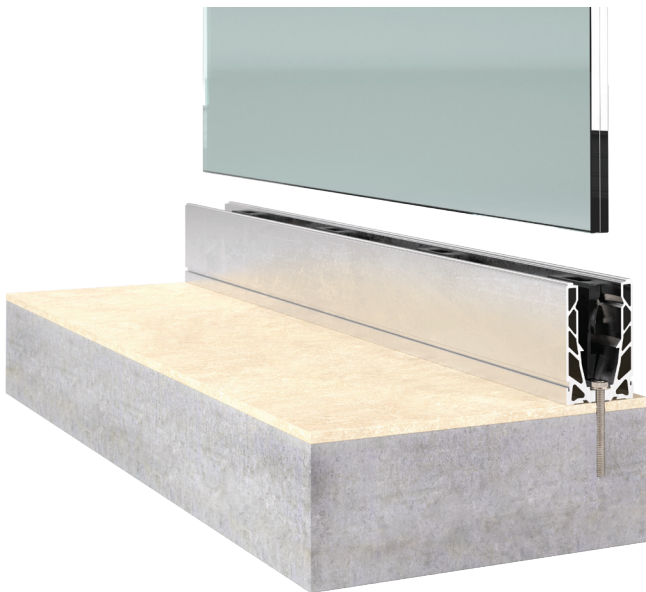


2

Lay the clamps at $7\frac{7}{8}$ O.C. inside the profile. Do not place the clamps above the anchor rod.



N.B. Once the clamps have been positioned, open them correctly inside the profile.



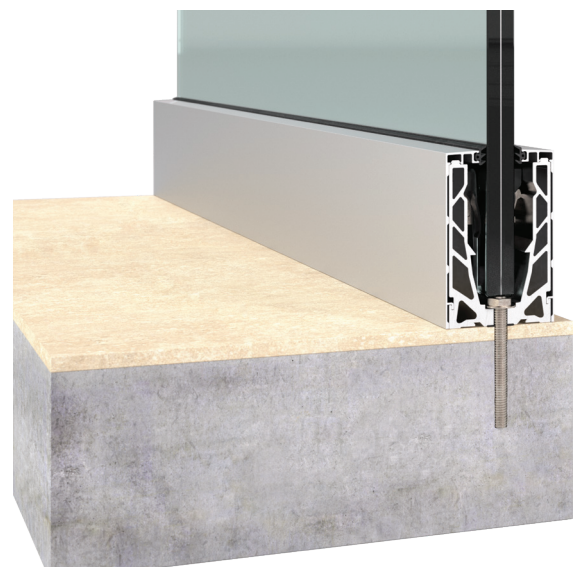
3 Insert the glass.



4 Adjust the inclination of the glass using the screws on the clamps and tighten.



5 Lay the carter to which the seal has been previously inserted.

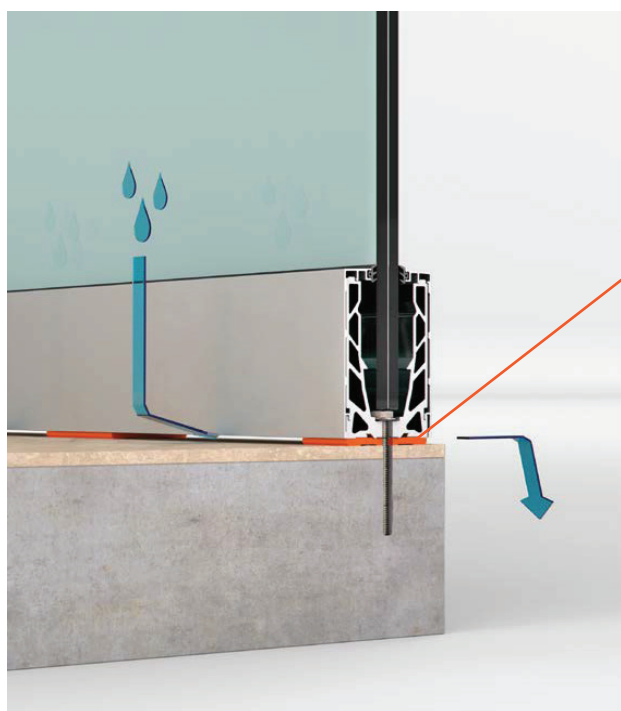
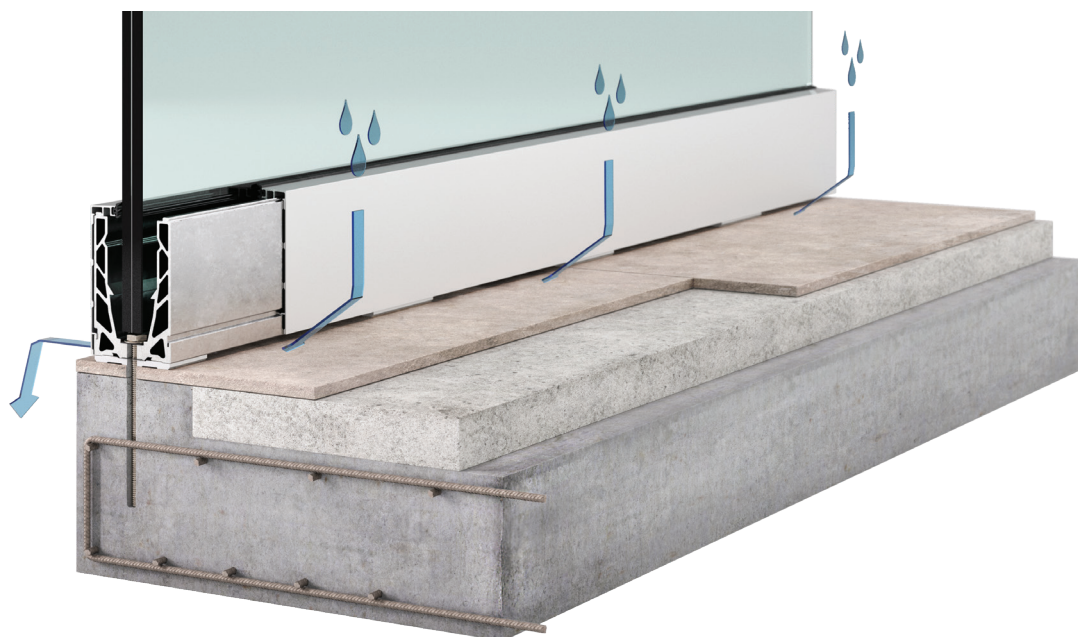


6 Installation finished.

GP - OPTIONAL

BASE GUIDE AND DRAIN WATER

Small optional element provided to allow the run-off of water under the profile.



ADVICES:

- Place one GP each anchor rod
- Make certain that the profile adheres perfectly to the slab

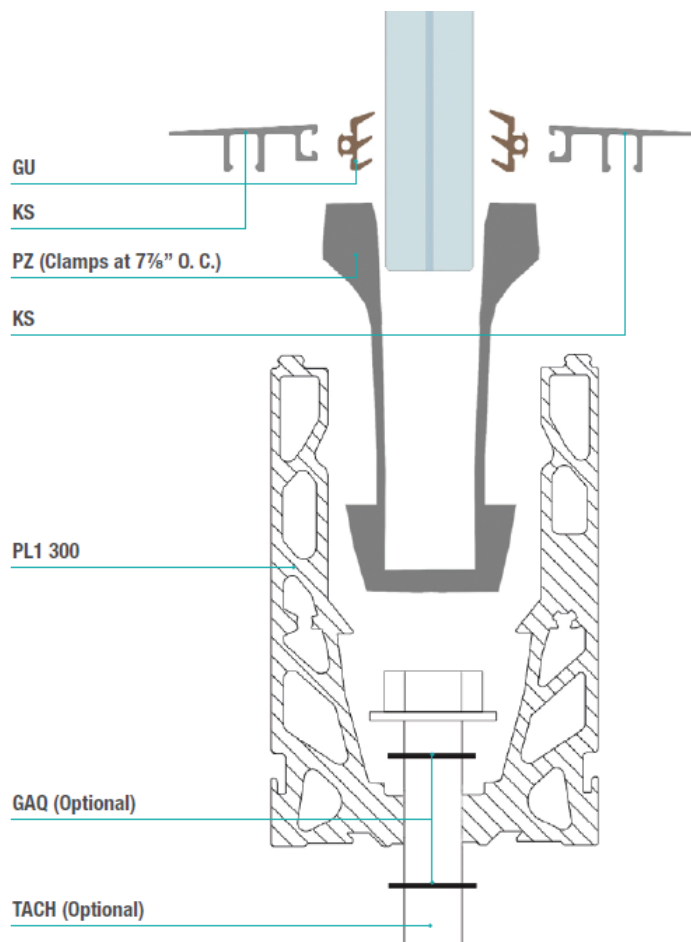
GARDA AP 300

FIXING IN THE FLOOR



Balustrade that offers maximum transparency thanks to the absence of visible elements to satisfy every architectural need with an elegant and essential design.

ARTICLE CODES - AP 300

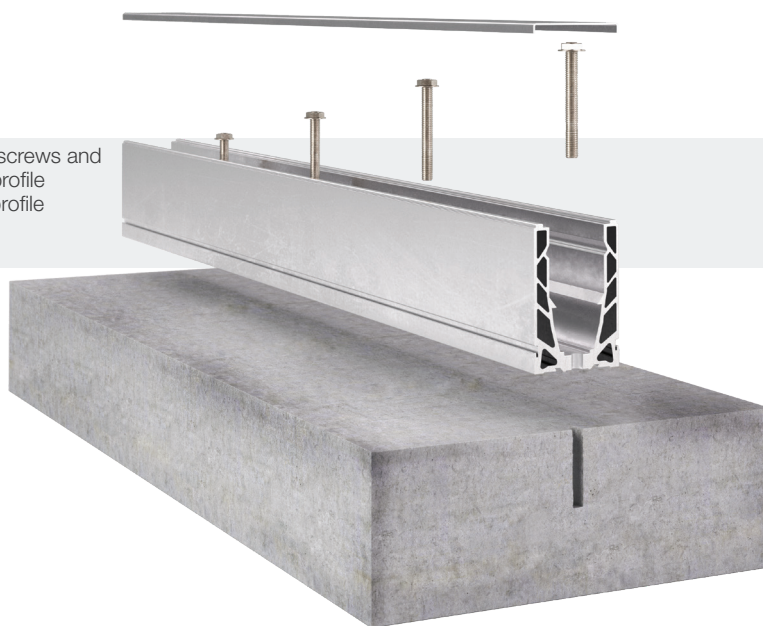


ASSEMBLY STAGES - AP 300

Each profile is ready for installation: the balustrade is completed by fixing screws, seals, carter, clamps. The final adjustment is carried out with the help of a simple allen wrench or with the use of an extension cord for the power tool (art. PR55), which makes it even faster to tighten the adjusting screws.

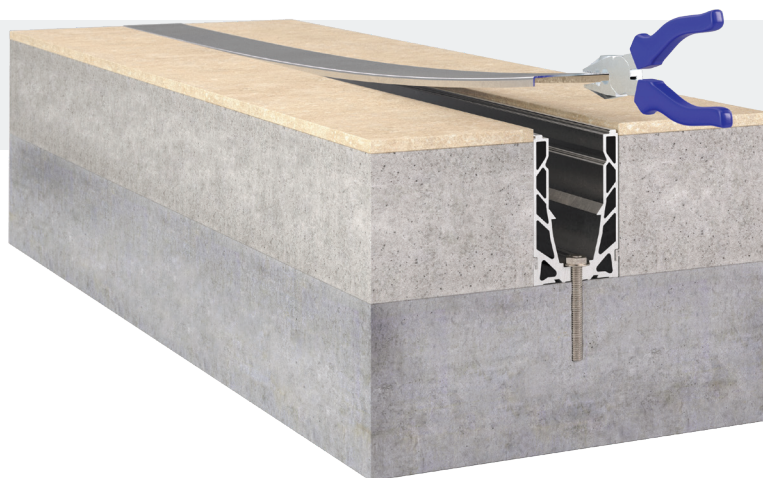
1

Drill the slab with a drill, position the profile, the fixing screws and the temporary cover to avoid that the inerts dirty the profile during the construction stage. Make certain that the profile adheres perfectly to the slab. For anchor's types refer to the chart at page 11.



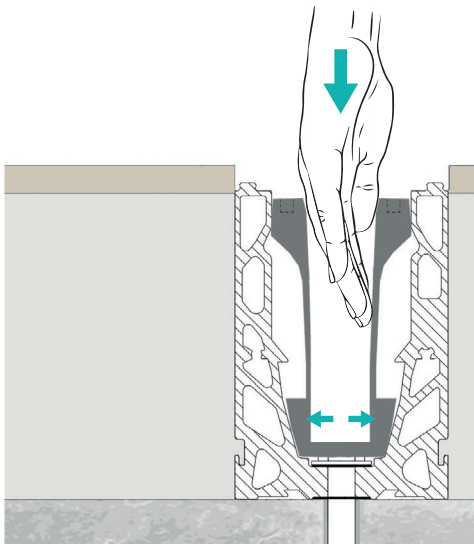
2

Lift the temporary cover casing to begin the installation of the accessories.



3

Lay the clamps at $7 \frac{7}{8}$ O.C. inside the profile. Do not place the clamps above the fixing screws and insert the glass.



N.B. Once the clamps have been positioned, open them correctly inside the profile.

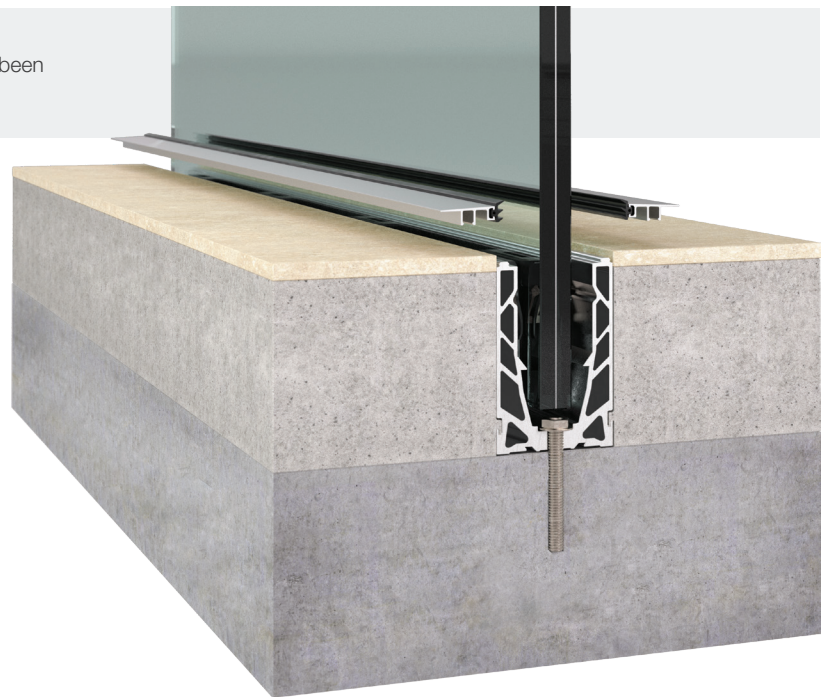
4

Adjust the inclination of the glass using the screws on the clamps and tighten.



5

Lay the superior carter to which the rubber has been previously inserted.



6

Installation completed.

