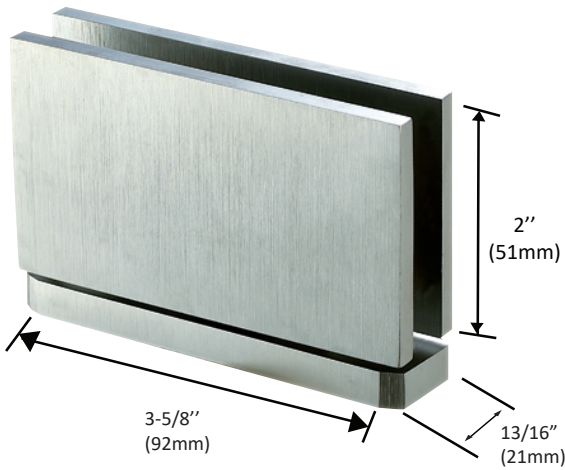


Item # Z-3820



AVAILABLE FINISHES:



Maximum Door Capacities	
2 HINGES	
Weight	110 lbs (45 Kg)
Width	31" (787 mm)



Pivot Square Hinge

GLASS REQUIREMENTS:

- 3/8" (10mm) Tempered Glass

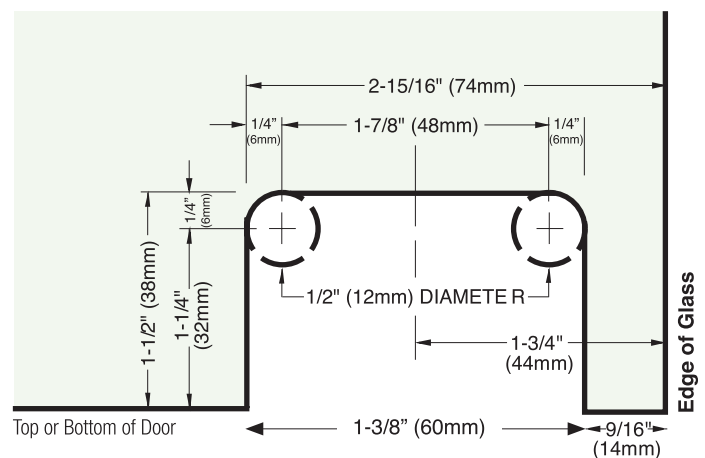
SPECIFICATIONS:

- Solid brass body and clear polyurethane gaskets
- Glass cut-out required
- Screws and gaskets included
- Hinge swings 90° in and 90° out with self-centering
- Self-centering when within 15° of closed position
- Can be mounted floor and ceiling, or floor and wall using the wall adapter (Z-3835) or floor and using header adapter (Z-HAB01)

CARES:

- Can be cleaned with water and a soft cloth
- Use of harsh or abrasive cleaners may harm finish and will void the warranty.
- Do not use power tools when installing or spray lubricant on this hinges
- 3 year warranty

Glass Cut-Out
Top/Bottom Deduction: 3/8" (10mm)



Rev Nov, 2023